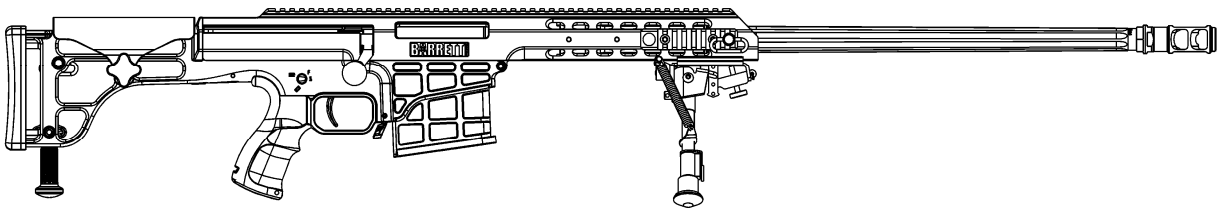




Model 98B



Operator's Manual

September 15, 2008

USE OF THIS MANUAL

Before you handle the Model 98B rifle, read this manual in its entirety. It is important that you understand the principles of safe gun handling in general and the unique features of this rifle. This manual is not a substitute for training from a qualified instructor. Important safety topics are discussed in this chapter and throughout this manual. This manual should remain with the rifle and it should be transferred with the rifle to subsequent owners. Additional manuals can be ordered from Barrett Firearms Manufacturing or can be downloaded from the company website.

This manual covers all variants of the Model 98B. Technical specifications are subject to change without notice.

SAFETY GUIDELINES

WARNING

Failure to follow safety guidelines may cause injury or death.

Ammunition

Barrett does not condone the use of handloaded, remanufactured, or surplus ammunition. The use of clean, dry and properly stored commercially manufactured ammunition will preserve your warranty.

Safety distance

Bullets fired from this rifle may travel as far as 4 miles. Make certain that you have an adequate backstop.

Hearing protection

Hearing loss is permanent. Hearing loss from gunfire is cumulative, but the noise from even one shot may cause permanent loss. Wear both ear plugs and ear muffs. It is also your responsibility to protect the hearing of those around you. The muzzle brake is integral to the design of your rifle and works to divert a large portion of a shot's blast rearward and to the side of the muzzle. Your rifle must not be fired without it. People and objects should not be in the vicinity of the muzzle brake because its blast consists of high pressure, high temperature gas. All spectators should use double hearing protection. The safest place for a spectator is directly behind the shooter.

Eye protection

Eye protection should be worn when both shooting and maintaining your rifle. It is normal for firing to generate airborne dust and debris. Glasses also protect you from scopes during recoil. Protect your eyes from solvents and uncaptured parts under spring pressure while performing maintenance on your rifle.

Assume every gun is loaded

Until you personally prove otherwise, treat every gun as if it were loaded. Do not trust your memory and do not take anyone else's word for it. Look and feel for an empty chamber. Do not trust the extractor to provide an empty chamber.

Beware of barrel obstructions

Ensure the barrel's bore is free of obstructions before you fire your rifle. Even the smallest obstruction such as a stuck patch or even grease will cause dangerously increased pressures that can rupture the barrel.

Use your muzzle brake

Your rifle was designed to be fired with the muzzle brake installed. Firing your rifle without the muzzle brake will subject your rifle and its accessories to damaging recoil. It could also cause the shooter to be injured.

Muzzle control

Always keep the muzzle pointed in a safe direction. Never allow your muzzle to point at anything that you do not intend to shoot.

Keep your finger off the trigger

Keep your finger off the trigger and out of the trigger guard until your sights are aligned on your target and you intend to fire.

Keep your safety on

Keep your safety on until your sights are aligned on your target and you intend to fire.

Identify your target and backstop

Before you pull the trigger, make certain of your target and what is beyond it. The rifle should never be fired at surfaces where bullets are likely to glance off in unpredictable directions.

Failure to fire

If your rifle fails to fire when you pull the trigger, do not lift the bolt handle to open the action. Keep the rifle pointed toward a safe area and wait 2 minutes. If a hangfire (slow ignition) has occurred, the round will probably fire within two minutes. If the round does not fire, remove and inspect the cartridge. If the primer is indented properly, discard it in a safe manner. If the primer is lightly dented, refer to the troubleshooting chart in this manual.

Maintain your rifle properly

Performing proper maintenance, as outlined in this manual, insures that your rifle will be safe to shoot and will perform to design specification for many years. Alterations, modifications or adjustments may damage your rifle, make it unsafe to fire and will void warranty claims.

Store your rifle safely

Even though your rifle represents a significant financial investment, the greatest value in keeping it secured is preventing it from falling into the hands of a child, a careless adult, or a thief. It is your responsibility to take every reasonable precaution to secure your rifle.

Alcohol, medications and drugs

Do not handle or operate your rifle under the influence of alcohol, medication or drugs.

WARRANTY AND SERVICE

Barrett Firearms Manufacturing Inc. (BFMI), warrants that this firearm was manufactured free of defects in materials and workmanship. For one year from the date of purchase by the original owner, BFMI agrees to correct any defect in this firearm for the original purchaser by repair or replacement with the same or comparable model.

BFMI will not be responsible for injury, death, or damage to property resulting from either intentional or accidental discharge of this firearm or from its function when used for purposes or subjected to treatment for which it was not designed. BFMI will not honor claims involving this firearm which result from careless or improper handling, unauthorized adjustment or parts replacement, corrosion, neglect, the use of the wrong caliber ammunition, or the use of other than commercially manufactured ammunition in good condition, or any combination thereof. BFMI will not honor claims involving this firearm when such claims are made by the second or subsequent owner.

If you need factory service, whether made under warranty or not, please contact BFMI for instructions on how to have your gun repaired.

Barrett Firearms Manufacturing Inc.
P.O. Box 1077
Murfreesboro, TN 37133-1077
615-896-2938

www.barrettrifles.com

Your Responsibility

Your Barrett rifle is well-engineered and manufactured to the highest standards. It was proof-fired and carefully inspected before it was packaged and shipped from our factory. Its safe use depends on you alone. You are the ultimate safety device. Much like other mechanical devices, such as electric power tools, gas-powered lawn equipment, and automobiles, your rifle is safe unless handled in an irresponsible or uneducated manner.

TABLE OF CONTENTS

Use of the manual	2
Firearms Safety	2-4
Warranty and service	5
Table of contents	6
Specifications	7
Contents	8
Function	8
Break-in	8
Loading	9-11
Unloading and clearing	12
Disassembly and assembly	13
Major components	13
Disassembly into major components	14-15
Reassembly of major components	15
Removal and disassembly of the firing assembly	16-18
Reassembly of the firing assembly	18
Disassembly and assembly of ejector and extractor	19-22
Adjusting the trigger mechanism	23-29
Cleaning and lubrication	30
Troubleshooting	31
Blank	32
Exploded views and parts lists	33-34
Blank	35

SPECIFICATIONS

BARRETT MODEL 98B

CALIBER	.338 Lapua Magnum
BARREL LENGTH	27" (68.58 cm)
OVERALL LENGTH	49.75" (126.36 cm)
WEIGHT	13.5 pounds (6.12 Kg)
TWIST RATE	1-10 Right Hand Twist
SAFETY	Manual Reversible, thumb lever
SAFETY RANGE NEEDED	4 miles (estimated)
SCOPE RAIL	Integral to the receiver M1913 style, 18.125" (46.03 cm)
CARRYING CASE LENGTH	53 inches
CARRYING CASE WIDTH	16 inches
CARRYING CASE DEPTH	6 inches
CARRYING CASE WEIGHT	24 pounds

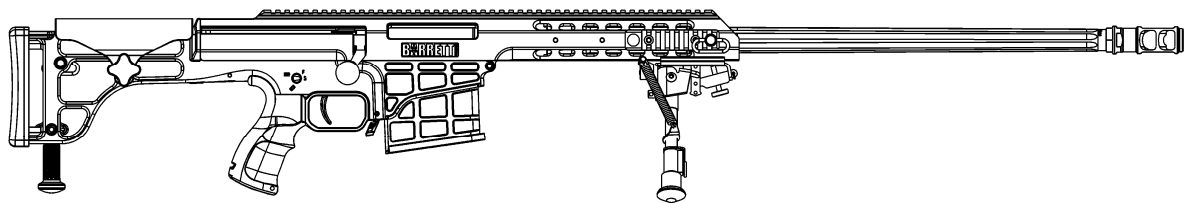


Figure 1. Model 98B

CONTENTS

Your Model 98B rifle includes the following:

- 98B Rifle
- Watertight and airtight carrying case
- Operator's manual
- 1 Magazine

Your rifle may have included a rifle scope, BORS, rings and other optional accessories. It may have also included cleaning fluids and a cleaning kit.

The rifle is shipped from the factory fully assembled. (Figure 2.)

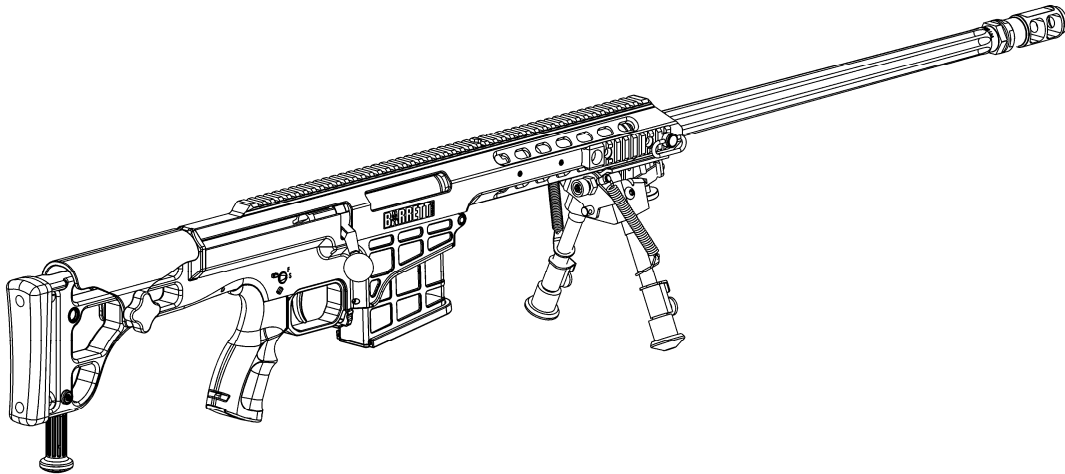


Figure 2. Fully assembled rifle. (Shown with optional accessories.)

FUNCTION

The Model 98B is a magazine fed, bolt action rifle. The shooter manually cycles the action to feed a new cartridge from the magazine into the chamber. The firing pin assembly is cocked when the bolt handle is raised. The bolt is retained in the receiver and is equipped with an extractor to remove a cartridge or shell casing. A manually controlled safety prevents or permits trigger movement.

BREAK-IN PROCEDURE

Because individual barrels, powder, primer and bullet combinations vary widely and because shooters have strongly held personal opinions on the subject, Barrett does not offer a specific procedure for barrel break-in. Barrett does recognize that a clean barrel shoots better. Barrett also recommends that you do not overheat your barrel, especially your new barrel. Experience has shown that the bore becomes less prone to fouling over time and that accuracy may increase as this occurs.

LOADING

1. With the rifle pointed in a safe direction, lift the bolt handle (Figure 3, Step A) and draw it to the rear of the rifle. (Figure 3, Step B)
2. Rotate the safety lever to the "SAFE" (lever horizontal) position. (Figure 4.)

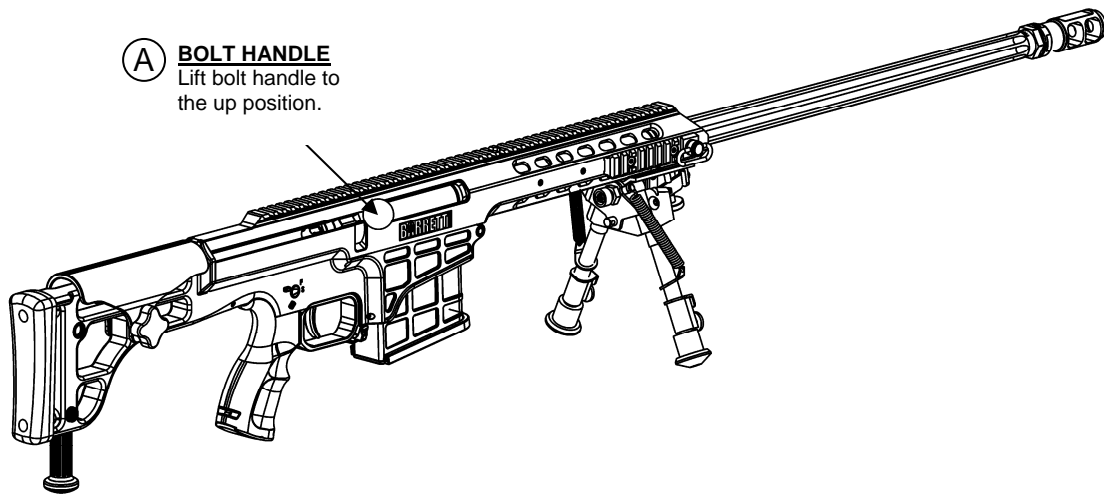


Figure 3, Step A. Lift the bolt handle

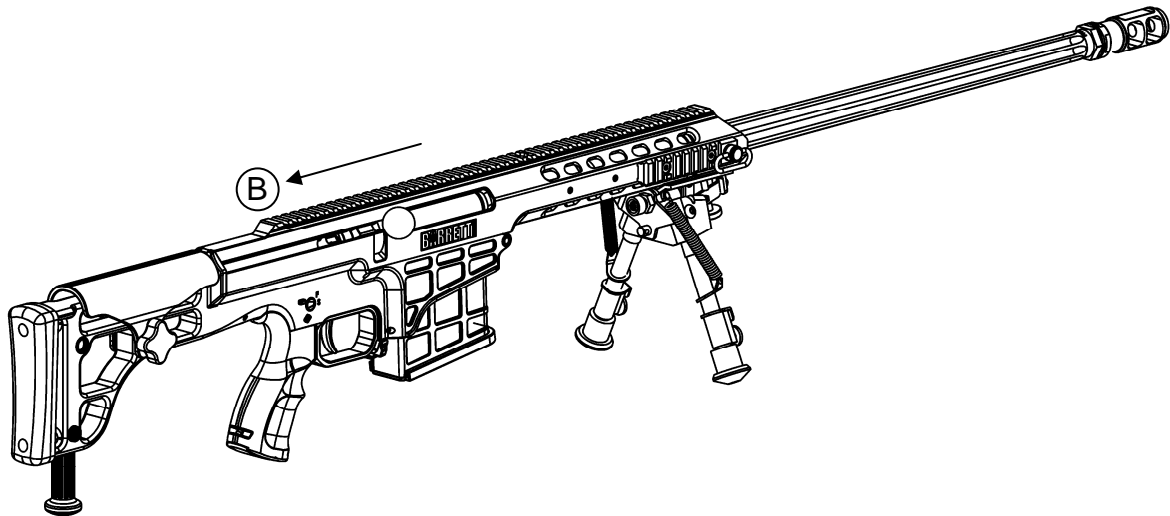


Figure 3, Step B

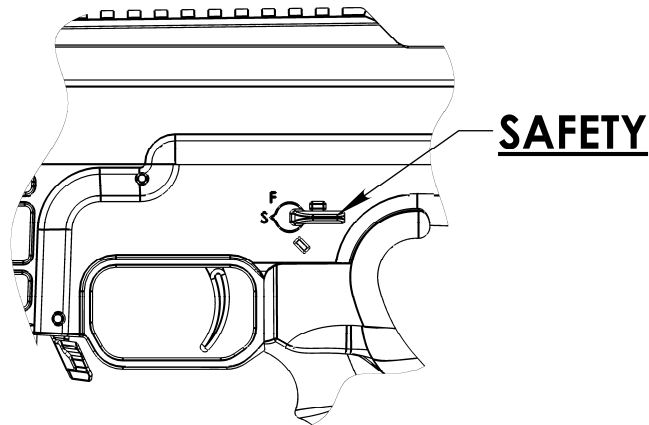


Figure 4. Safety lever to "SAFE".

3. Insert a loaded magazine into the rifle. (Figure 5). The magazine inserts into the rifle straight in without hinging.

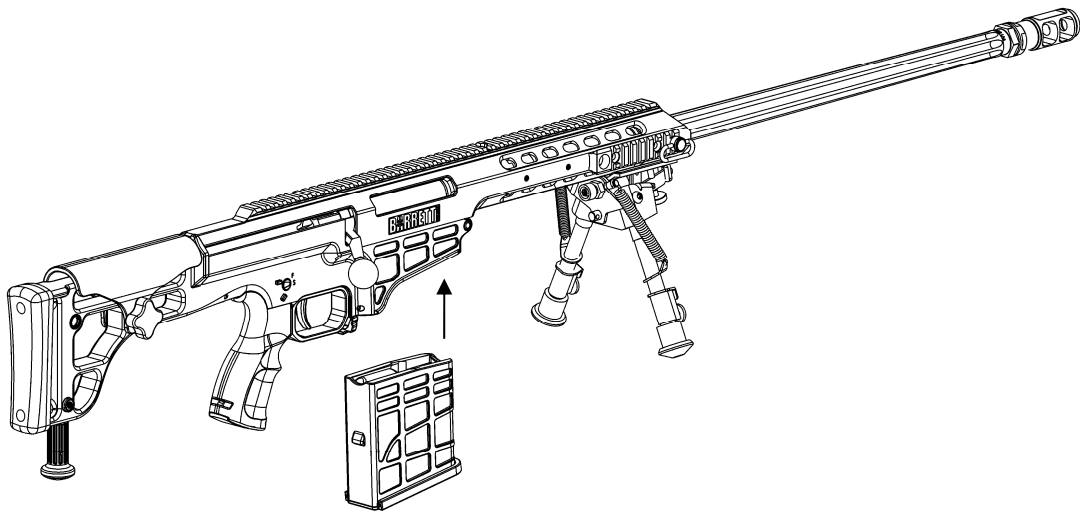


Figure 5. Inserting the magazine.

4. Push the bolt handle forward (Figure 6, Step A.) which will load a cartridge into chamber, and rotate the bolt handle down (Figure 6, Step B), closing the firing chamber.

WARNING

Do not attempt to force a cartridge into the chamber by forcing the bolt closed. If the bolt will not close easily, remove the cartridge and examine it for damage or defects. Check the chamber for obstructions.

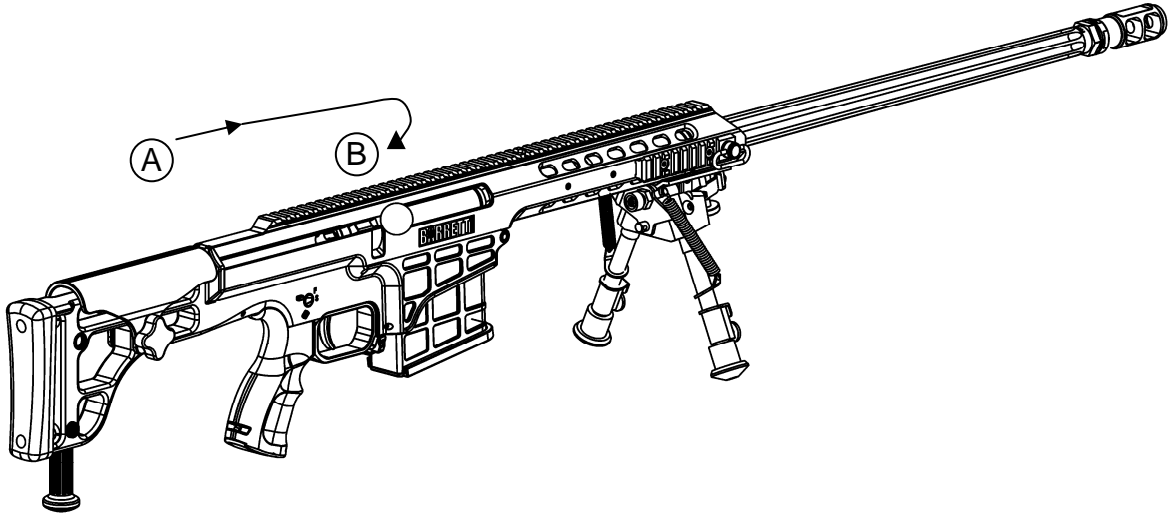


Figure 6. Step A and B. Closing the Bolt

5. Rotate the safety to the “FIRE” position (45 degrees). The rifle is now ready to fire.

WARNING

The shooter must be positioned directly behind the rifle with the recoil pad held firmly against the shoulder. Firing the rifle in any other position could result in injury by contact with the rifle or rifle scope.

6. By pulling the trigger the rifle will fire 1 (one) cartridge.

7. To load a new cartridge fully lift the bolt handle and draw it fully to the rear of the rifle. This action will extract and eject the spent case from the chamber. Next push the bolt handle forward and rotate downward. This feeds a new cartridge from the magazine into the chamber.

UNLOADING AND CLEARING

1. Place the rifle in the “SAFE” position.
2. Lift the bolt handle upward and pull it to the rear and eject a chambered cartridge or spent case.
3. Remove the magazine from the rifle by pressing the magazine catch and remove the magazine from the rifle. (Figure 7)

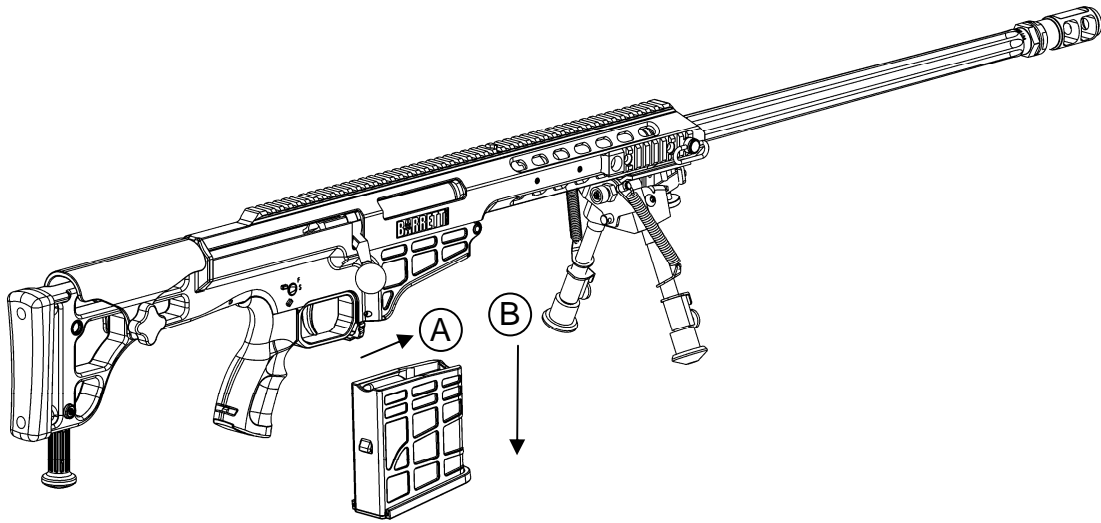


Figure 7.

4. With the bolt pulled fully to the rear, look into the chamber to make sure that the cartridge or spent case has been removed. Insert a finger into the chamber to verify the empty chamber.

DISASSEMBLY AND ASSEMBLY

WARNING

Unload and clear the rifle before disassembly.
Ensure no live ammunition is present during disassembly or assembly.

Caution

The bolt handle must be in the up position before the receivers can be unlatched.

The rifle may be disassembled into 5 major components. (Figure 8)

Major components:

Receiver assembly (1)

Firing assembly (2)

Bipod assembly (5)

Lower receiver Assembly (6)

Magazine Assembly (8)

Assembly pin:

Front assembly pin (7)

Components:

Rear Bolt Guide (3)

Front Bolt Guide (4)

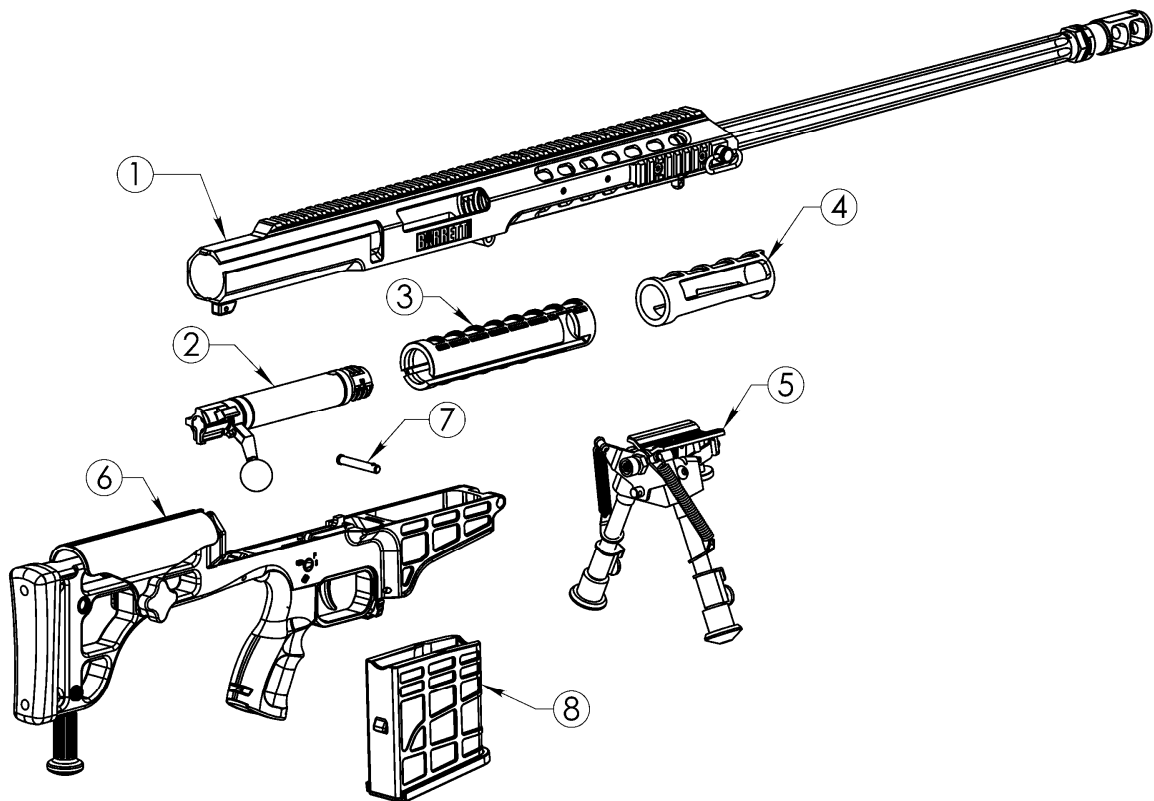


Figure 8. Major components.

Disassembly into major components

1. Deploy bipod legs (if equipped) to let the rifle rest on the bipod feet and butt of the rifle or monopod.
2. Raise the bolt handle to the up position. (Figure 9)

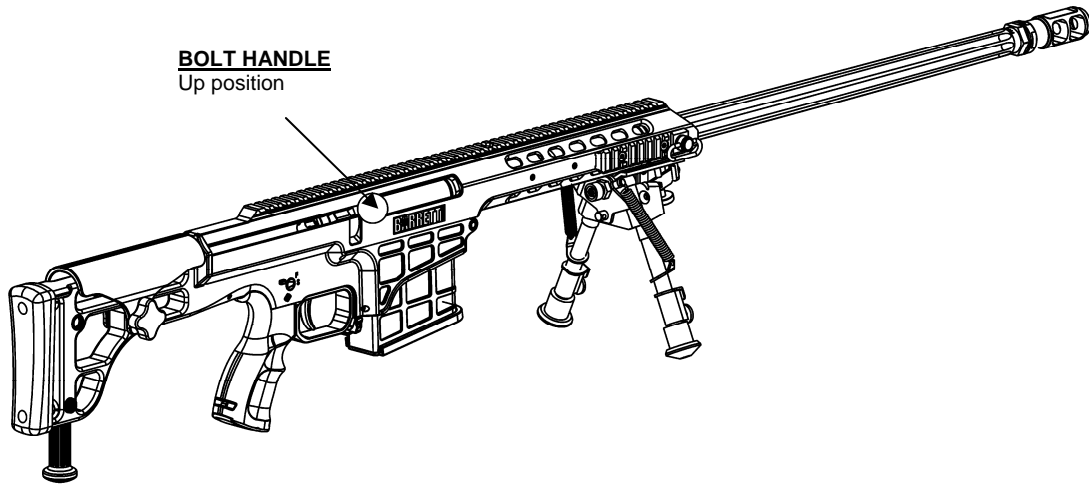


Figure 9.

3. Depress and hold the receiver latch, located on the underside of the lower receiver just behind the pistol grip. (Figure 10, Step A.) Separate the receiver from the lower receiver. Pivot the receivers apart until the receiver clears the lower receiver. (Figure 10, Step B) Release the receiver latch. Hold the receivers apart and withdraw the firing assembly, rear bolt guide, and the front bolt guide. Gently lower the receiver back down until it is resting on the latch mechanism. Do not latch the receivers back together at this time. Take notice to the direction of the bolt guides when they are taken out of the receiver. The front bolt guide has a tab that protrudes outward. This tab orients in the slot in the back of the barrel extension.

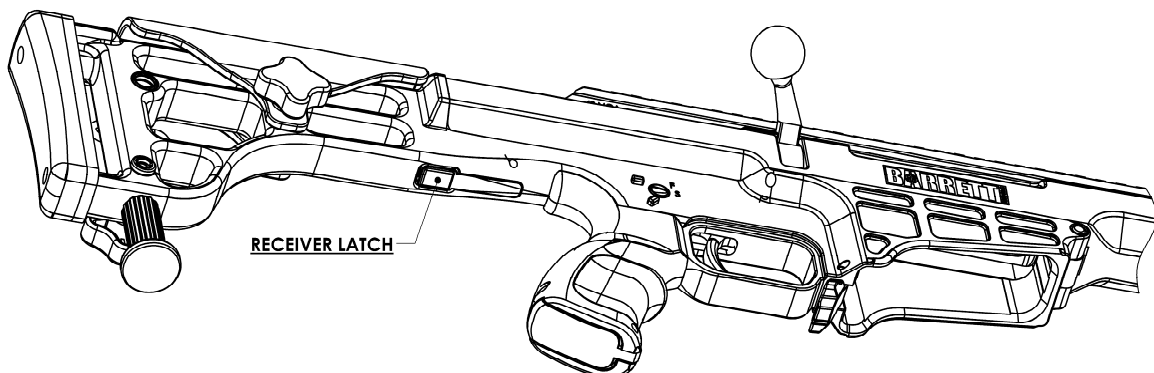


Figure 10, Step A.

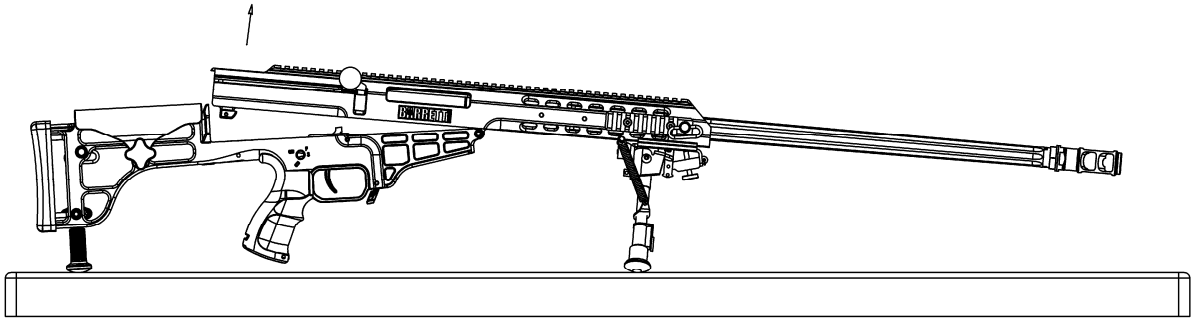


Figure 10, Step B.

4. Separate the receiver and the lower receiver as shown in Figure 10, Step B.
5. Remove the front assembly pin to separate the receivers. (Figure 11)

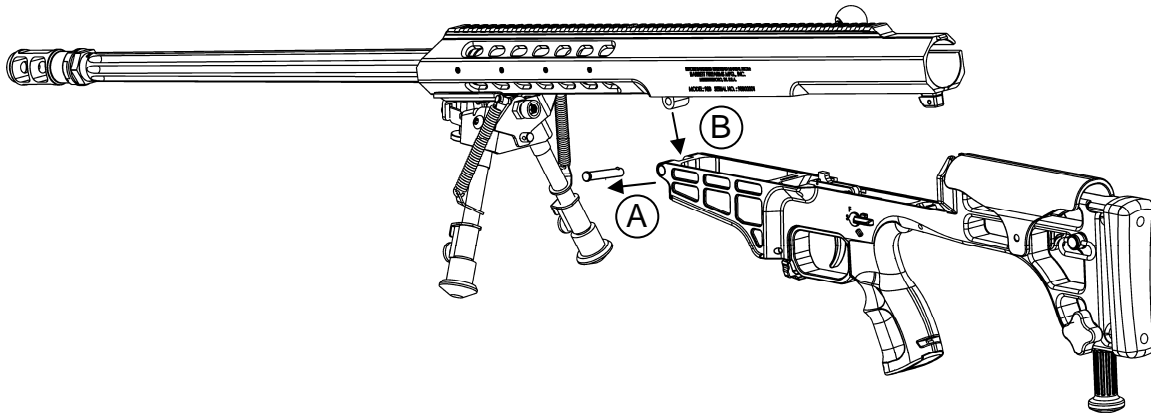


Figure 11.

NOTE

No further disassembly of the receivers are recommended or necessary for maintenance.

Reassembly of major components

Major components are assembled in reverse order of disassembly.

Disassembly of the firing assembly

NOTE

The firing pin assembly must be cocked to enable disassembly of the firing assembly. The firing pin assembly is cocked when the cocking piece is outside of the cam slot. (See Figure 12.)

1. Lift the bolt handle to the up position. Press the receiver latch and separate the receivers (Figures 9-10). Withdraw the firing assembly from the back of the receiver.

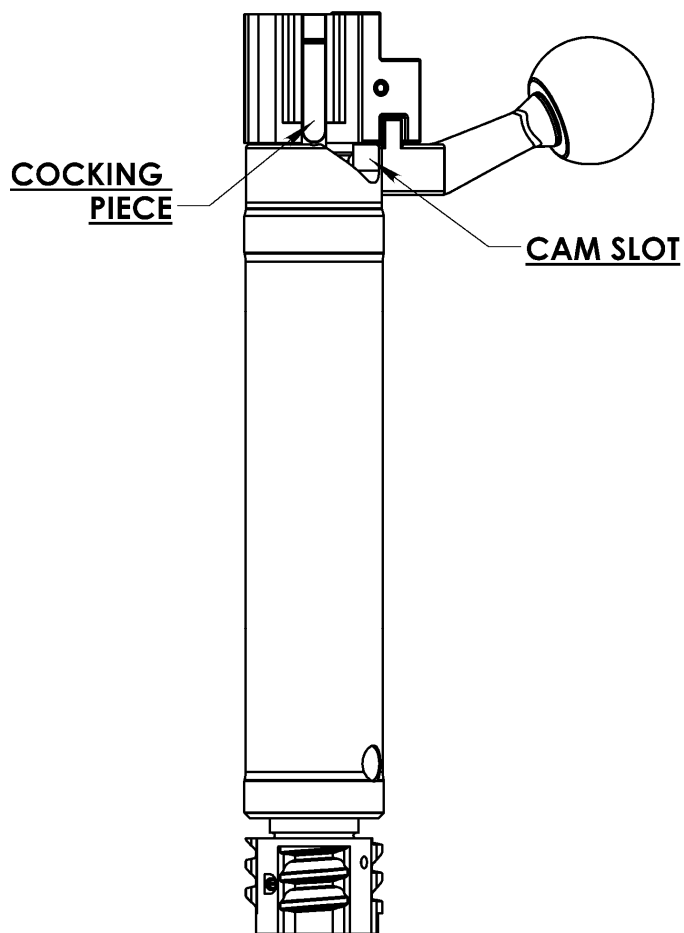


Figure 12. Cocked firing assembly.

2. Hook the edge of the cocking piece on a hard edge and pull the cocking piece out of the cocking piece shroud exposing the 2 (two) slots in the cocking piece. Insert a coin into either slot to retain the cocking piece in the disassembly position. (Figure 13)

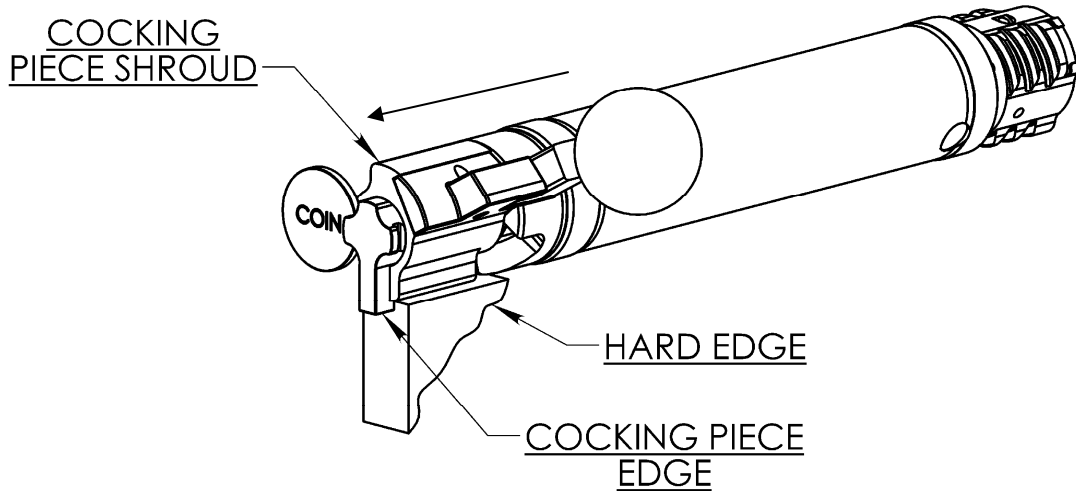


Figure 13.

WARNING

Do not remove the coin from the cocking piece while the firing pin assembly is removed from the bolt tube complete. The firing pin spring is under heavy load. Serious injury can occur if the assembly pin is removed.

3. Rotate the cocking piece shroud counter clockwise about 120 degrees (Figure 14, Step A) and withdraw (Figure 14, Step B) from the bolt tube complete.

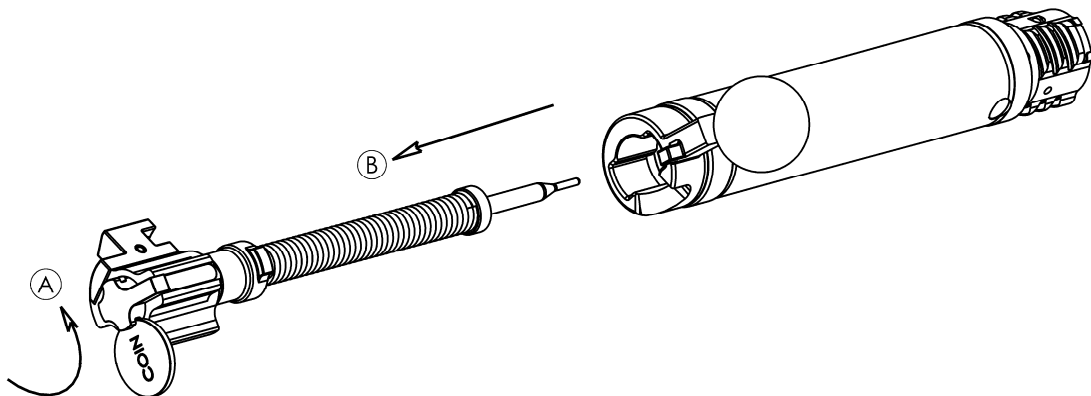


Figure 14.

4. Using a punch or another pointed object push the bolt pin (Figure 15, Step A), out of the bolt tube complete. Note that the bolt pin is one directional meaning it can only be disassembled or assembled from one direction. Next remove the bolt assembly (Figure 15, Step B), from the bolt complete.

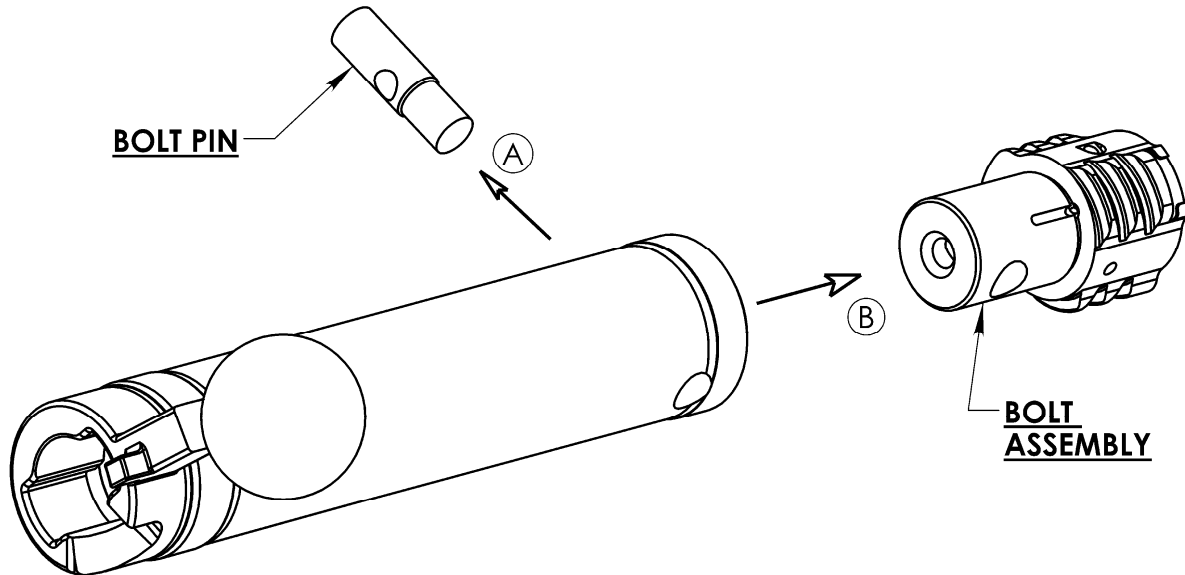


Figure 15.

NOTE
No further disassembly of the firing pin assembly is recommended or necessary for maintenance.

Reassembly of the firing assembly

Assembly is in the reverse order of its removal.

Disassembly and assembly of ejector and extractor

WARNING

The ejector is under spring pressure and is held in place by the ejector pin. Wear safety glasses when removing the ejector pin.

NOTE

Removal and replacement of the ejector pin requires the use of a hammer and a 3/32 pin punch. It is also useful to have a spent casing.

NOTE

The extractor, ejector and their springs are not likely to fail. If the rifle fails to extract or eject, rule out other causes before attempting this procedure. It is not necessary to remove either the extractor or the ejector for routine maintenance. Their removal is to facilitate parts replacement only. If you are not confident in your skills, Barrett Manufacturing will perform this service for a modest fee.

Ejector removal

1. Hold the bolt face firmly against a flat work surface. Drive the ejector pin out of the bolt with a 3/32 punch. (Figure 16, Step A.) Leave the punch inserted in the ejector hole.
2. Grip the bolt and slowly lift the bolt from the work surface and remove the ejector and ejector spring. (Figure 16, step B.) Note the direction of the ejector as it is removed from the bolt. Remove the punch.

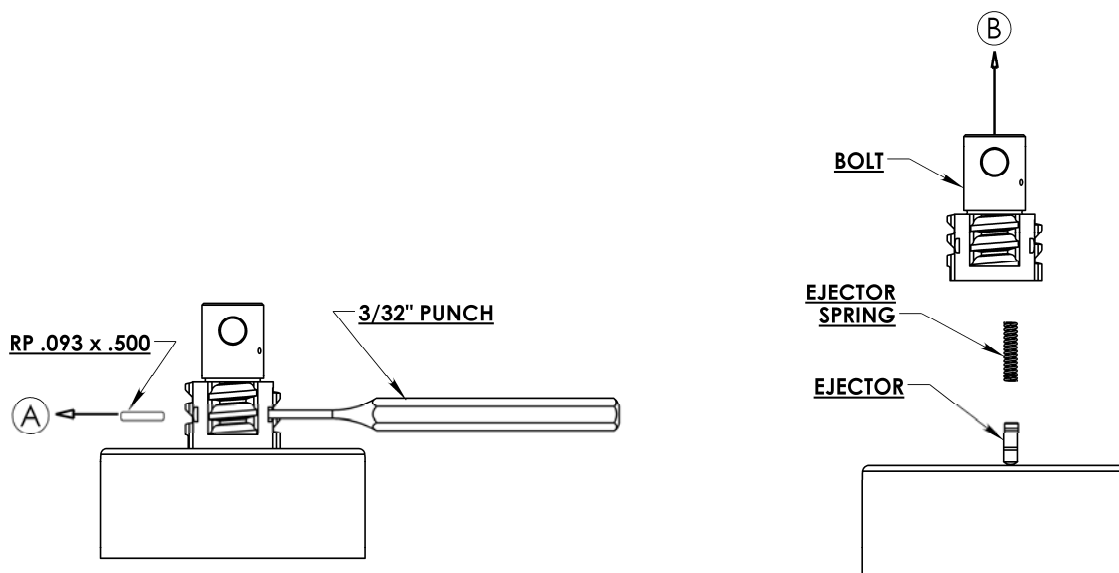


Figure 16.

Extractor removal

1. Locate the end of the extractor spring. It is located just behind the bolt lugs. (Figure 17) It is a single bent wire. Using a 1/16" punch, gently lift the end of the extractor spring and unwrap it clockwise from the bolt. With the circular part of the spring up and fully out of the slot in the bolt withdraw the spring (Figure 18). Next slide the extractor out of the slot in the bolt. (Figure 19)

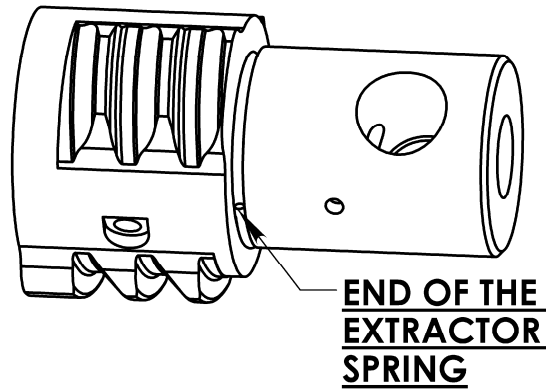


Figure 17.

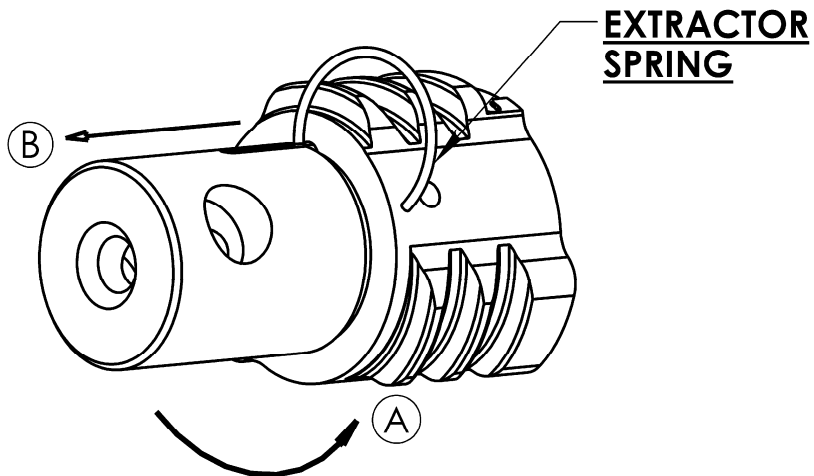


Figure 18.

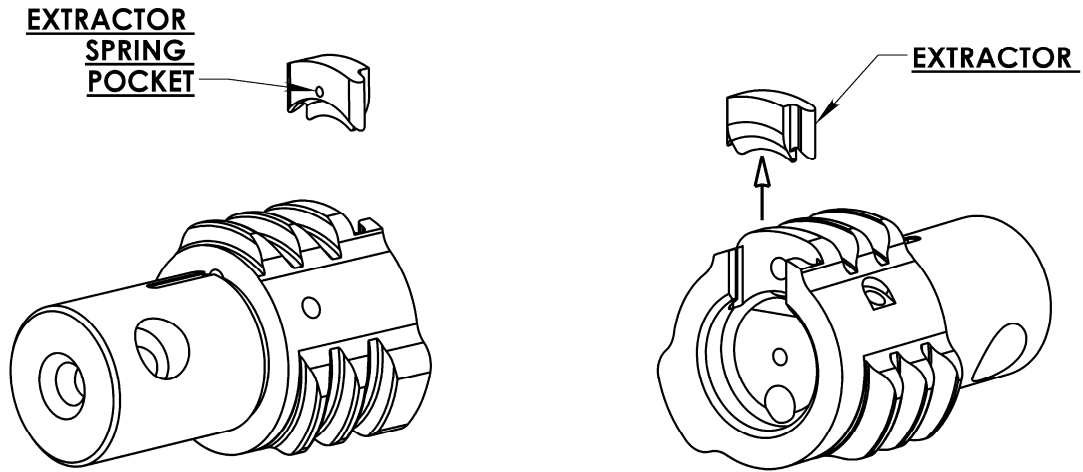


Figure 19.

Extractor installation

The installation of the extractor is in reverse order of its removal. Ensure the end of the spring is in the spring pocket.

Ejector installation

1. Place the ejector spring in the ejector spring hole. (Figure 20, step A.) The spring is bi-directional.
2. Place the ejector in the ejector hole. (Figure 20, step B.) Orient the ejector so that the ejector's pin slot is facing toward the bolt.

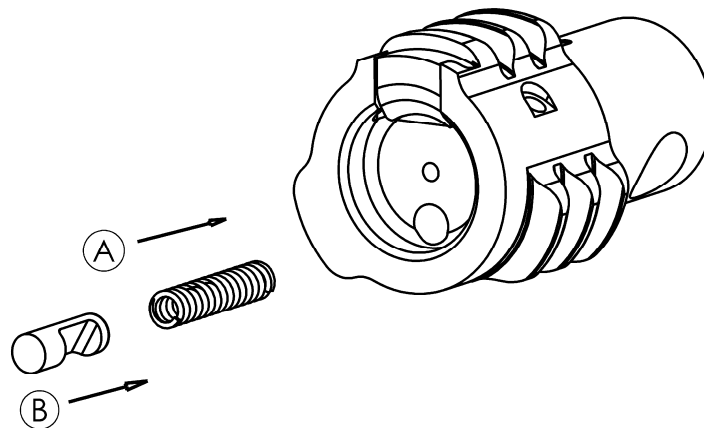


Figure 20.

3. Hook the rim of an empty case under the extractor. Use the opposite side of the case to force the ejector flush to the bolt face. Looking through the bolt's ejector pinhole, confirm that the ejector's pin slot is oriented so that the ejector pinhole is clear. While depressing the ejector with a cartridge case, insert a punch through one side of the ejector pinhole leaving room for the ejector pin to be started from the opposite side. The punch holds the ejector in place until the ejector pin has been started from the opposite side. With a 3/32 punch, finish driving the ejector pin until it is flush with the bolt's ejector pin recess. (Figure 21.)

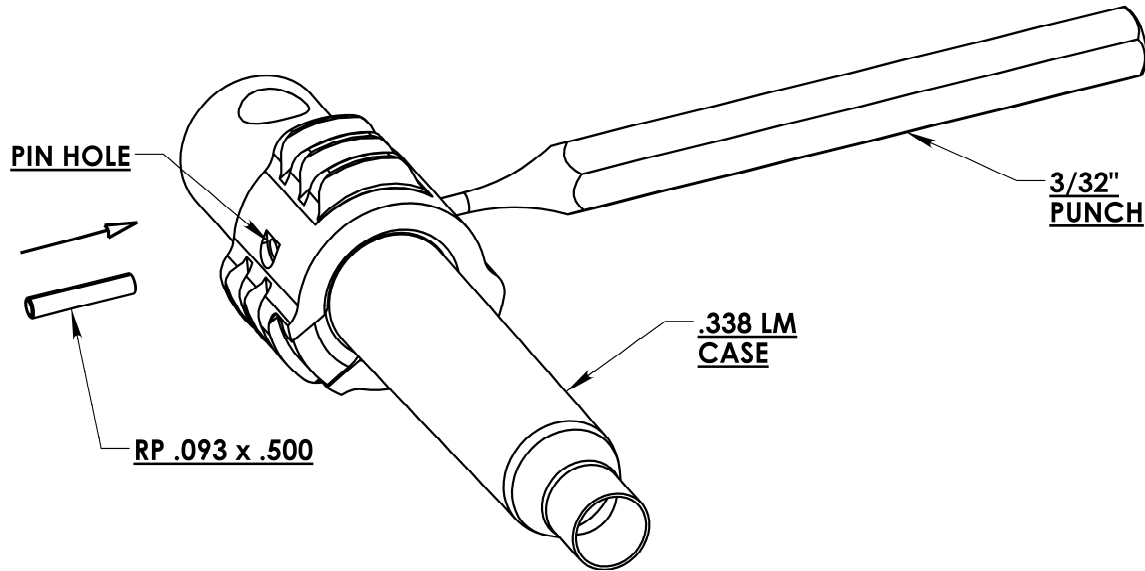


Figure 21.

Adjusting the trigger mechanism

Removal of the trigger housing assembly

1. Rotate the safety half way between the stops on the receiver. (Figure 22.) From the opposite side of the lever push and slightly rotate the safety out of the receiver. This may require a flat punch.

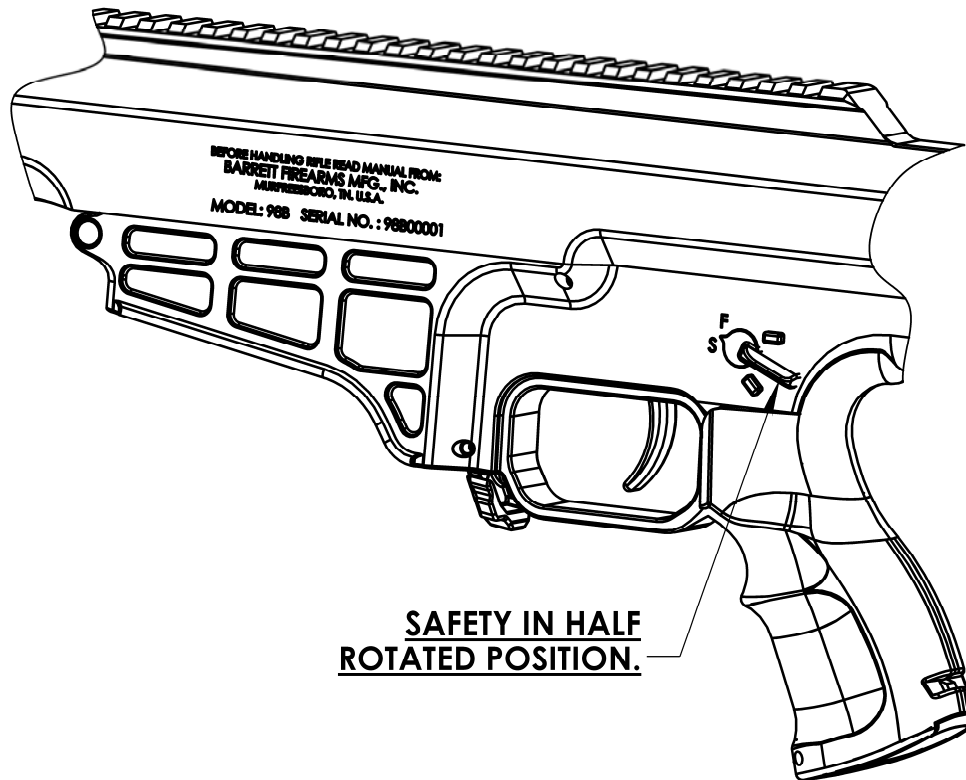


Figure 22. Removal of the Safety

2. Separate the receiver from the lower receiver as described in the disassembly section of this manual. Disassembly Of Major Components, figures 9-10.
3. Grasp the sear / trigger housing assembly and slide the trigger housing assembly rearward away from the magazine well opening and lift out of the receiver. (Figure 23.)

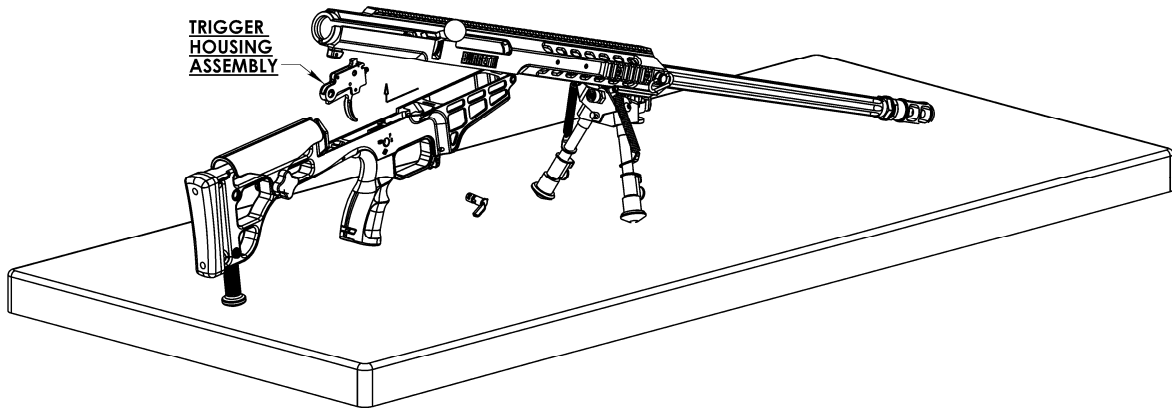


Figure 23. Removal of the trigger housing assembly.

Adjusting the sear engagement.

Note

The factory setting on the trigger is .030" of sear engagement. This is the minimum amount of sear engagement possible.

1. Turn the sear engagement set screw counter clockwise using a 5/64" Allen wrench to the desired sear engagement. One quarter of a turn of the sear engagement screw will equal an increase of .031" of sear engagement. Do not increase the sear engagement more than 3/4 of a turn from the factory setting. (Figure 24)

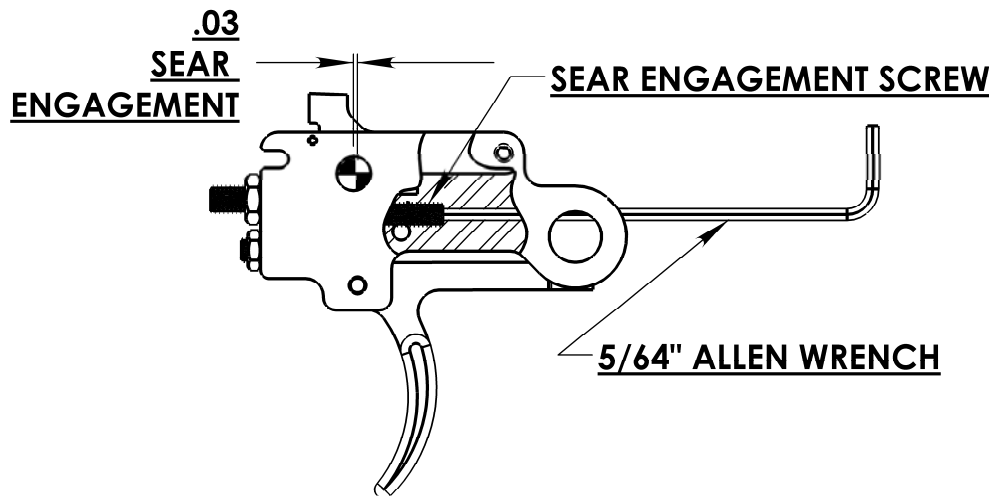


Figure 24. Adjusting sear engagement.

Returning the sear engagement to the factory setting of .030”.

1. Insert the safety into the trigger housing. The safety should be oriented so the full diameter of the safety is down. (Figure 25.) Using the 5/64” allen wrench turn the sear engagement screw clockwise until the trigger contacts the bottom of the safety. Then back the screw off slightly and ensure that the safety can still rotate freely in the trigger housing.

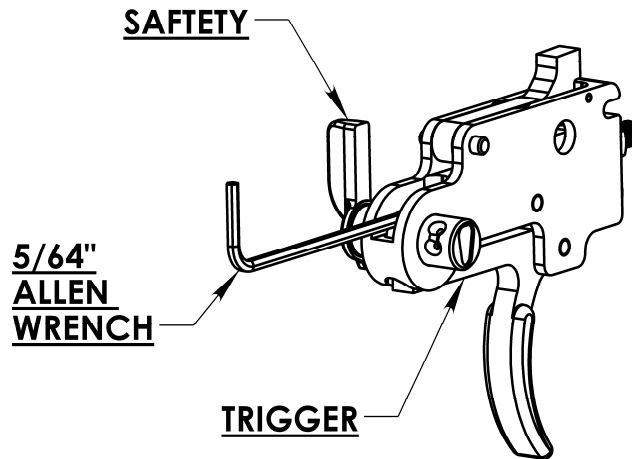


Figure 25. Return sear engagement to factory setting.

Adjusting the trigger weight

Note
The factory setting is 2 / 2.5 pounds.

1. Loosen the 5/16” jam nut on the trigger weight screw. Using a 1/16” allen wrench turn the screw counter clockwise. The minimum setting on the trigger should not go below 1.5 pounds. This is achieved by approximately one half of a turn on the trigger weight screw. Hold the allen wrench and do not allow the screw to move and tighten the 5/16” nut. (Figure 25.)

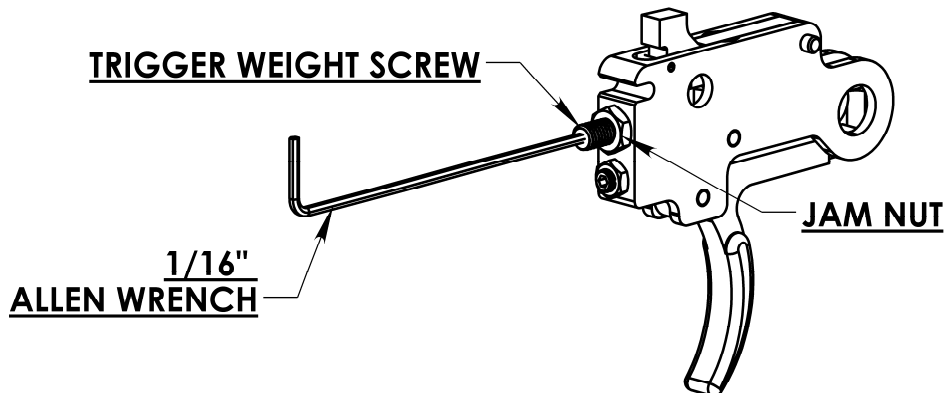


Figure 26. Adjusting trigger weight.

Returning trigger weight to factory settings

Warning

Adjusting the trigger weight too low may cause an accidental discharge.

1. Loosen the 5/16" jam nut on the trigger weight screw. Turn the trigger weight screw counter clockwise approximately four turns using a 1/16" allen wrench.
2. Pull the trigger and depress the sear. (Figure 27.) turn the trigger weight screw clockwise until the plunger is fully compressed in the trigger weight screw. Turn the trigger weight screw counter clockwise ¼ turn and tighten the brass jam nut.

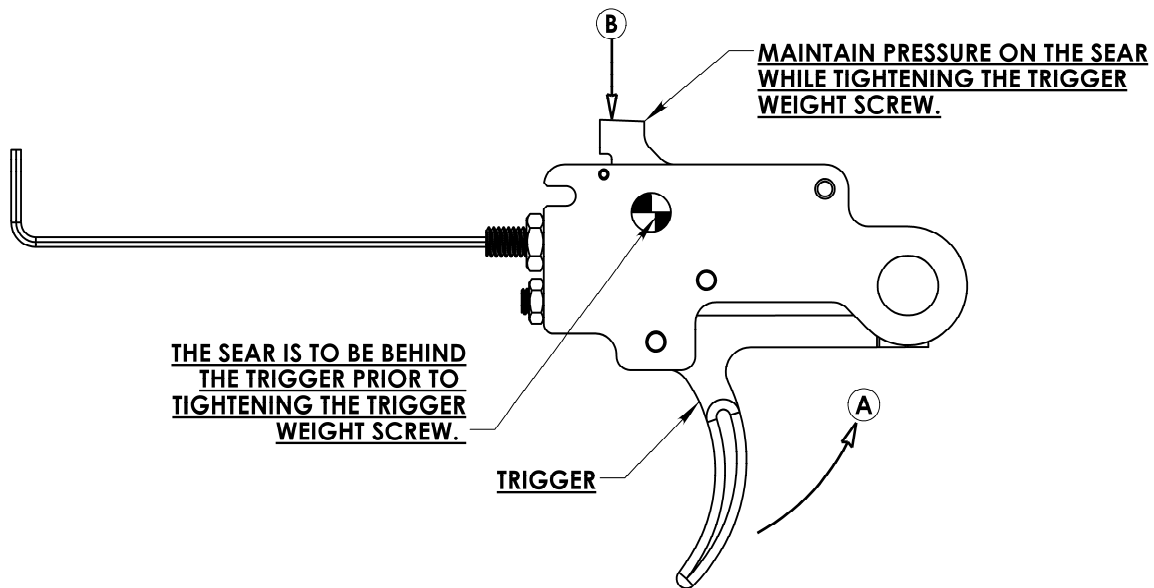


Figure 27. Returning the trigger weight to the factory setting.

Adjusting the trigger over travel

Note

The trigger over travel is set to minimum from the factory.

1. Loosen the ¼" brass jam nut. Insert a 5/64" allen wrench into the over travel screw. Look through the hole in the side of the trigger housing and pull the trigger and press down on the sear. Turn the over travel screw counter clockwise and observe the trigger moving away from the sear. Turn the screw until the desired over travel and lock into place by turning the brass jam nut clockwise until it is tight against the trigger housing. (Figure 28) Test the setting by pulling the trigger and depressing the sear. Release the trigger. Slowly release the sear and ensure the trigger has enough clearance to reset.

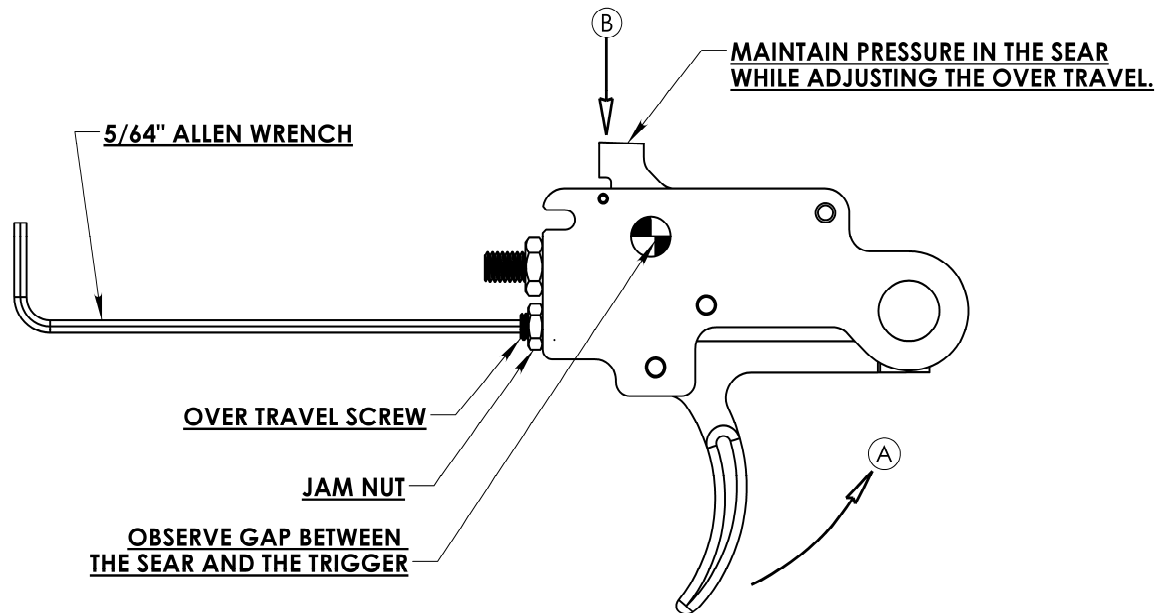


Figure 28. Adjusting the over travel.

Returning the over travel to the factory specifications

1. Loosen the 1/4" brass jam nut. Insert a 5/64" allen wrench into the over travel screw. Look through the hole in the side of the trigger housing and pull the trigger and press down on the sear. Turn the over travel screw counter clockwise and observe the trigger moving away from the sear. Turn the screw clockwise until it locks up the trigger against the sear. Turn the over travel screw counter clockwise one quarter of a turn and lock into place by turning the brass jam nut clockwise until it is tight against the trigger housing. (Figure 29) Test the setting by pulling the trigger and depressing the sear. Release the trigger. Slowly release the sear and ensure the trigger has enough clearance to reset.

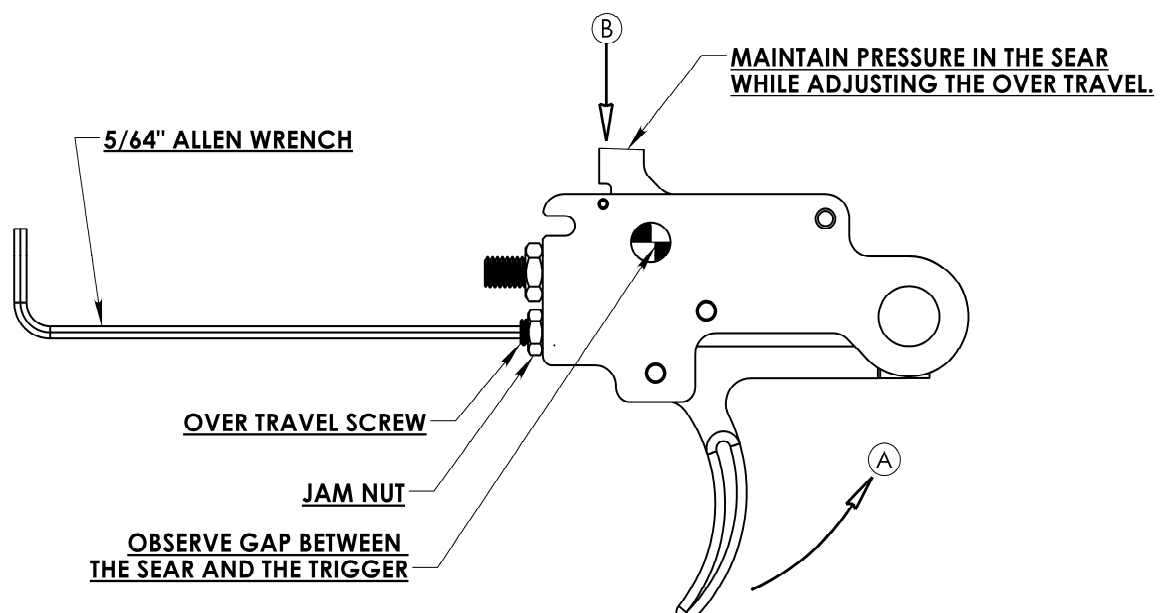


Figure 29. Resetting the over travel to the factory settings.

Assembly of the trigger housing assembly into the receiver

1. Insert the trigger housing assembly into the slot in the lower receiver "A". (Figure 30.) Slide the trigger housing assembly forward and align the front of the trigger housing onto the pin in the receiver "B". Next align the safety hole in the lower receiver and the hole in the trigger housing.

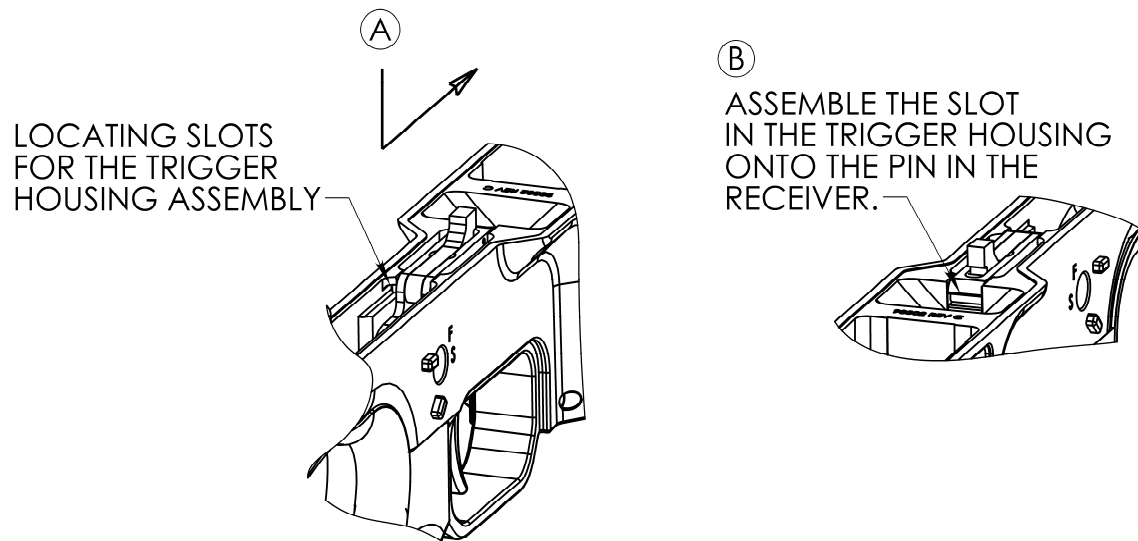


Figure 30. Installation of the trigger housing.

2. Insert the safety into the receiver until it stops on the safety detent. Using a punch depress the safety detent and finish inserting the safety into the receiver. The safety lever must be between the limiting stops on the lower receiver. Figure 31.

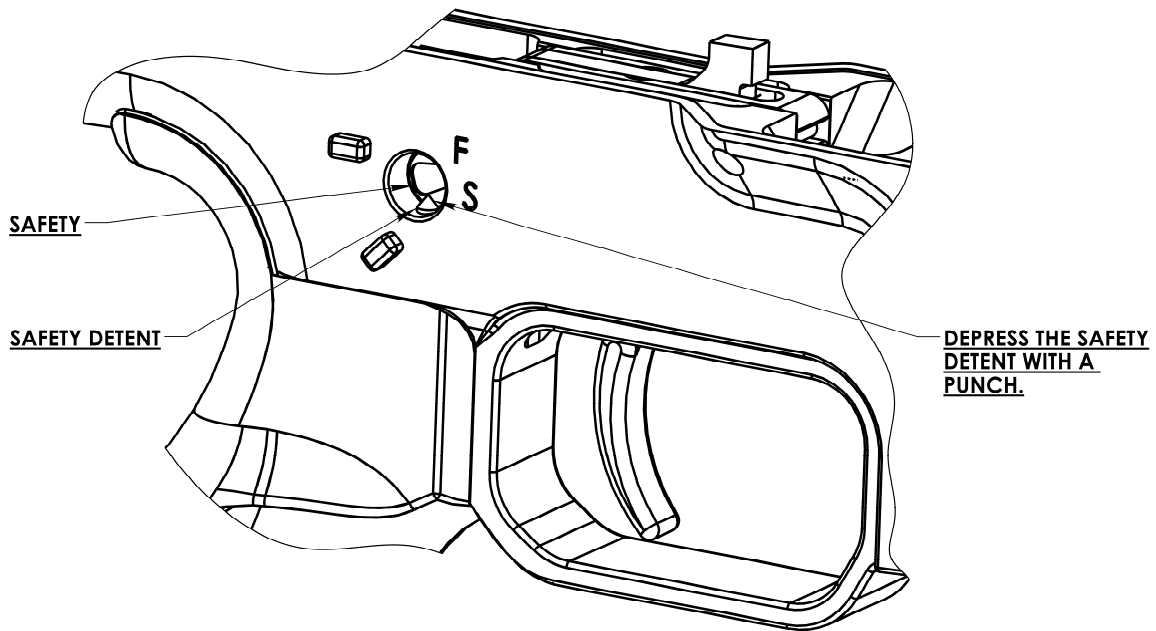


Figure 31, Installation of the safety.

3. Ensure the bolt handle is in the up position. Close the receivers together.

Functional test of trigger

Notice
Ensure there is no live ammunition present during this test.

Warning
Physically check the chamber and make sure the rifle is not loaded.

1. With the rifle fully assembled slowly work the action of the rifle and pull the trigger. Next, rapidly lift the bolt handle to the open position then back to closed, and pull the trigger to make sure the trigger reset. If the trigger did not reset, reset the trigger weight to a heavier poundage by repeating the above steps in the “Adjusting the trigger weight” section.

CLEANING AND LUBRICATION

WARNING

Unload and clear the rifle before cleaning.

CAUTION

Do not insert cleaning rods through the muzzle. The barrel crown could be damaged which would severely degrade the accuracy of the rifle.

CAUTION

To protect the rifle from corrosion, the rifle and the interior of the carrying case should be moisture free before the rifle is placed in the carrying case for storage.

Cleaning procedure

1. The rifle should be cleaned and lubricated after each shooting session. Regular cleaning prevents the corrosive effects of moisture.
2. Apply cleaning solvent to a chamber brush and clean the chamber. Barrett Heavy Bore Cleaner is recommended.
3. Apply cleaning solvent to a bore brush and clean the bore. Barrett Heavy Bore Cleaner is recommended.
4. Clean the muzzle brake with a stiff plastic brush and bore solvent. It is best to clean the muzzle brake at the same time the barrel is being cleaned as the bore solvent will help loosen the carbon build-up on its interior walls.
5. Clean the bolt face with bore solvent. Use a stiff plastic brush to remove carbon from both the extractor and the ejector. Depress the ejector and extractor by hand to test their smooth function.
6. Use dry patches as necessary to remove cleaner from the bore and chamber.
7. Clean the remainder of the rifle with cotton-tipped swabs, general-purpose brushes and rags. Make sure all metal surfaces are coated with preservative oil.

TROUBLESHOOTING

MALFUNCTION	CAUSE	CORRECTIVE ACTION
1. Failure to chamber and lock	<ol style="list-style-type: none"> 1. Damaged cartridge 2. Dirty or obstructed chamber 	<ol style="list-style-type: none"> 1. Remove and replace cartridge 2. Clean chamber
2. Failure to fire	<ol style="list-style-type: none"> 1. Faulty ammunition (Primers dented in center of sufficient depth to fire) 2. Cocking piece shroud not properly installed in bolt 3. Cocking piece is dragging 4. Firing pin or firing pin spring broken or damaged 5. Bolt handle not down fully 	<ol style="list-style-type: none"> 1. Replace ammunition 2. Assemble properly 3. Clean and lubricate cocking piece 4. Return complete bolt assembly for repair 5. Ensure bolt handle is down fully
3. Failure to extract	<ol style="list-style-type: none"> 1. Broken or worn extractor 2. Broken or worn extractor spring 3. Extractor not moving freely 4. Dirty ammunition or chamber 5. Broken case rim 	<ol style="list-style-type: none"> 1. Replace extractor 2. Replace extractor spring 3. Clean extractor, extractor spring, and recess 4. Clean chamber and ensure ammunition is clean 5. Clear with cleaning rod
4. Failure to eject	<ol style="list-style-type: none"> 1. Broken or worn ejector 2. Broken or worn ejector spring 3. Ejector not moving freely 	<ol style="list-style-type: none"> 1. Replace ejector 2. Replace ejector spring 3. Clean ejector, ejector spring and recess
5. Very hard recoil	<ol style="list-style-type: none"> 1. Faulty or hot ammunition 2. Muzzle brake missing 3. Improper shooter position 	<ol style="list-style-type: none"> 1. Replace ammunition, cool if hot 2. Consult with Barrett for instructions 3. Firmly shoulder the buttstock

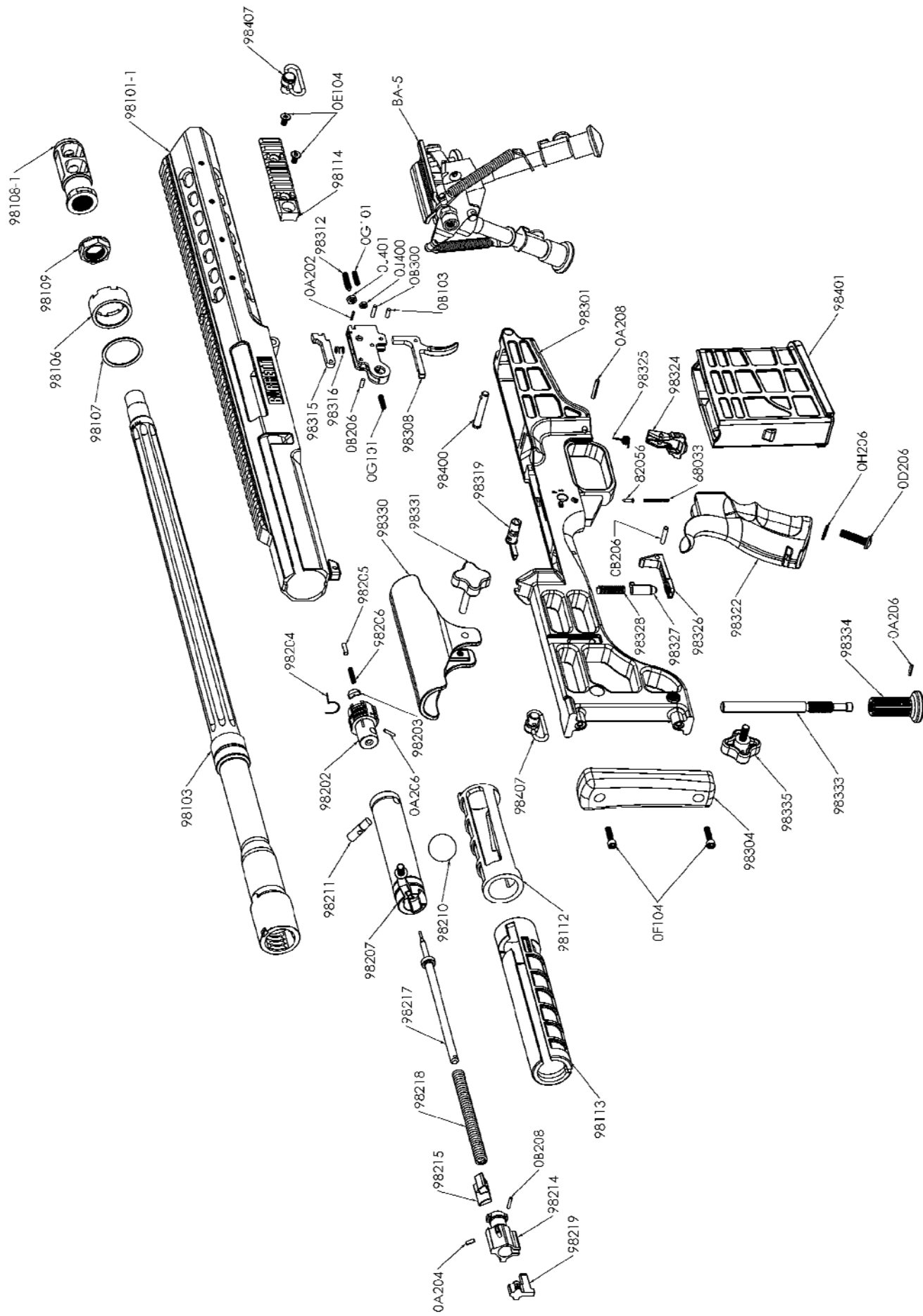
(This page intentionally blank.)

Model 98B Parts List

98101-1	Receiver Complete
98103	Barrel Complete
98106	Barrel Nut
98107	Barrel Washer
98108-1	Muzzle Brake
98109	Muzzle Brake Nut
0B103	DP .125 x .375
98112	Front Bolt Guide
98113	Rear Bolt Guide
98114	LR Accessory Rail
0E104	FHCS 10-24 x .375
98202	Bolt
98203	Extractor
98204	Extractor Spring
98205	Ejector
98206	Ejector Spring
0A206	RP .093 x .500
98207	Bolt Tube Complete
98210	Bolt Handle Knob
98211	Bolt Pin
98214	Cocking Piece Shroud
98215	Bolt Stop
0A212	RP .125 x .312
98217	Firing Pin
98218	Firing Pin Spring
98219	Cocking Piece
0B204	DP .093 x .500
98301	Lower Receiver Complete
98304	Recoil Pad
0F104	SHCS 10-24 x .750
98307	Trigger Housing
98308	Trigger
0G101	SS 8-32 x .625
0J400	Nut 8-32 x .250
98312	Trigger Weight Screw
0J401	Nut 10-32 x .312
0B300	DP .125 x .375

98315	Sear
98316	Sear Spring
0A202	RP .062 x .375
0B206	DP .125 x .562
0A208	RP .125 x .875
98319	Reversible Safety
68033	Safety Spring
82056	Safety Detent
98322	Pistol Grip
0D206	PHS .25-28 x 1.000
0H206	ETLW .25 ID
98324	Magazine Catch
98325	Magazine Catch Spring
98326	Receiver Latch
98327	Receiver Safety Latch
98328	Receiver Safety Latch Spring
0B201	DP .156 x .750
98330	Cheek Piece
98331	Cheek Piece Lock Knob
98333	Elevation Screw
98334	Monopod Foot
98335	Monopod Lock Knob
98400	Receiver Assembly Pin
98401	Magazine Assembly
98407	Sling Loop
BA-5	Bipod Assembly
98409	Bipod Adaptor
98410	Bipod Washer

RP: Roll Pin
 DP: Dowel Pin
 SHCS: Socket Head Cap Screw
 FHCS: Flat Head Cap Screw
 ETLW: External Tooth Lock Washer
 SS: Set Screw



*SHOWN WITH OPTIONAL ACCESSORIES

(This page is intentionally blank.)

